



Back to home

The HOPE family of processors

Micro-Max
Macro-Max
HI CAP II

Global offices

USA
Asia Pacific
Europe
Africa

Enquiries / Sales

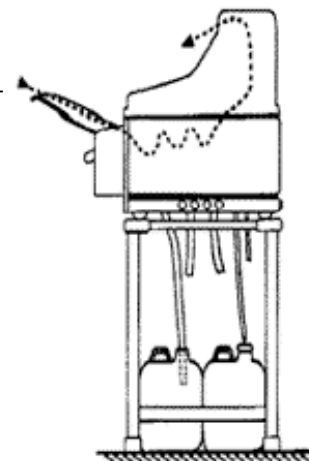
Contact us and submit your questions

HOPE MICRO-MAX

The X-Ray Film Processor for the new millennium

Introduction

The Back to the basics features of the *MicroMax* are designed to deliver high-output for it's compact size.



The *MicroMax* is value priced to ideally serve the moderate film developing needs of the private practice market, including medical and veterinary clinics, diagnostic and chiropractic care centers as well as mobile diagnostic applications.

MicroMAX versatile features:

Compare for yourself... then come to HOPE.



- *MicroMax* utilizes Hope's unique low torque, no crossover hard roller transport system
 - *MicroMax*'s quiet, powerful, low energy dryer easily dries film under any condition
 - *MicroMax*'s "dual" automatic replenishment system may replenish either by measuring film area or by flooded replenishment with manual operation back-up!
 - Automatic energy and water saving standby system with built-in jog feature. Manual operation back-up!
 - Film may be delivered either on top or rear exit
 - *MicroMax* may be installed thru-the-wall at either feed or dryer end
 - *MicroMax* may be set up at different speeds from 90 to 135 seconds
- Plugs into any standard wall outlet
 - Cold water operation - no hot water required!
 - Separate drains provide for quick draining of solutions, closed loop operation and easy use of silver recovery systems
 - Light tight feed tray reduces darkroom time and eliminates costly darkroom passage systems
 - Digital display of developer and dryer temperatures
 - Sales and service supported by factory trained worldwide dealer network

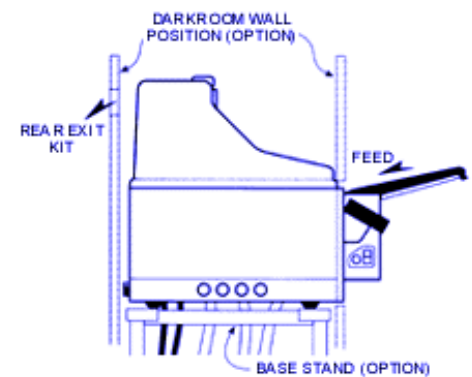
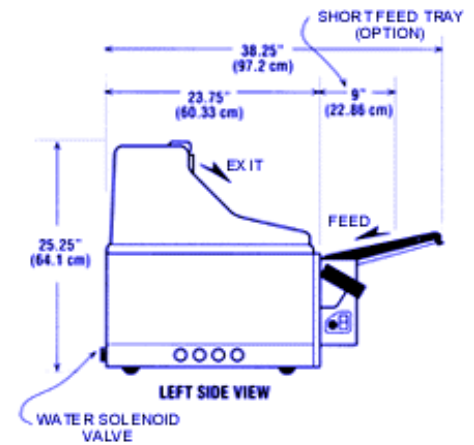
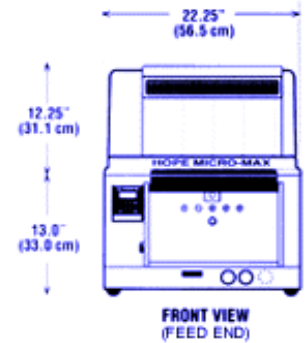
Options available include...

- Short feed tray with light tight cover
- Rear exit receiving and light trap kit
- Variable speed control
- Closed loop system (no external plumbing needed)

- Kit for processing of laser imaged film
- Receiving tray insert for full spine films
- Base stand

Affordably priced - the *MicroMax* provides more features and benefits for less!

**Can you afford less than the best?
If your reputation for quality is important...
remember, HOPE products deliver quality.**



Technical Specifications:

Processing Time: (Leading edge to leading edge)*

Standard Processing Cycle - 135 Seconds

Intermediate Processing Cycle - 112 Seconds

Rapid Processing Cycle - 90 Seconds

* *Other processing cycles available*

Processing Capacity:

Standard Process:

68 (10" x 12") films/hour; 45 (14" x 17") films/hour

Rapid Process:

110 (10" x 12") films/hour; 70 (14" x 17") films/hour

Film Size:

From 4" x 4" (10cm x 10cm) up to 14" (35.5cm) wide by any standard length

Processor Tank Capacities:

Developer 1.2 gals/4.3 ltr

Fixer .9 gal/3.3 ltr

Wash .9 gal/3.3 ltr

Electrical:

110V, 60 Hz, 14 amp

220V, 50/60 Hz, 7.5 amp - 1 ph

Water Requirements: (GPM)

Operating 0.25 GPM/.95 ltr

Standby 0.00 gal/0.0 ltr

Dimensions:

Length (overall) 38.25" (97.2 cm)

Width 22.25" (56.5 cm)

Height (without base) 25.25" (64.1 cm)

Height (with base) 54.50" (138.43 cm)

Shipping Weight:

195 lb/88.6 kg

Standard:

Includes light tight covered feed tray, replenishment tanks, manual, spare parts kit and water supply hose.

Warranty:

Hope X-Ray offers a one year warranty on all parts.

| [Home](#) | [Hope Family](#) | [Global offices](#) | [Enquiries](#) |