

APX525/625

Tri Mode High Frequency Generator

MPX525

Dual Mode High Frequency Generator





APX525/625 and MPX525 High Frequency Generator

The APX525/625 and MPX525 generators combine high frequency technology and advanced microprocessor control design to provide generators that are user-friendly, powerful, compact, reliable and flexible to the preferences of technique set-up by the technologist.

The APX525/625 operates in three user-friendly modes; APR (Anatomically Programmed Radiography), 2 point or 3 point technique set-up. The MPX525 provides the choice of two modes of operation; 2 point or 3 point technique set-up. The APX525/625 and MPX525 allows customization of operation to meet the needs of the particular practice. Both models give the technologist peace-of-mind in producing quality images using their preferred means of operation.

Operating the APX525/625 in the APR mode increases patient through-put, is user-friendly and consistently delivers quality images. Simply choose the region of interest, select the desired examination, then select patient size to display the preprogrammed technique. If using a bucky or AEC, the software will automatically engage the peripherals for the operator, thus reducing setup time. APX's programming process allows authorized personnel fast modification of the programmed mA, kV and/or time. When the 2 point operation of setting mAs and kV is used, the software will automatically choose the highest mA and shortest time to reduce motion and deliver high quality images. The traditional 3 point selection of kV, mA and time is provided to accommodate the needs of specialized views and the preference of some technologists.

AEC, available as an option, can be used in all modes of operation to optimize image quality and minimize retakes. Film resolution is enhanced with the ability to perform high power techniques on the small focal spot.

Combine the APX525/625 or MPX525 with Universal's far reaching choice of tables, tubestands and wall stands for a high powered system, or upgrade an existing generator with the APX525/625 or MPX525. Universal...a name trusted for over 75 years, continues to meet the needs of varying practitioners and their staff.

APX525/625 Standard Features:

- APR – Anatomically Programmed Radiography
- Programmed techniques for 8 body regions and up to 12 views per region
- Two point operation provides individual control of kV and mAs
- Three point operation provides individual control of mA, kV and time
- LCD display
- Continuous kV stabilization
- Continuous mA stabilization
- Automatic line voltage compensation
- Tube protection software and circuitry
- Adjustable wall mount bracket
- Compact design minimizes space requirements

MPX525 Standard Features:

Same features as the APX525/625 with the exception of APR.

Options:

- AEC – Automatic Exposure Control
- Pedestal

Technical Specifications:

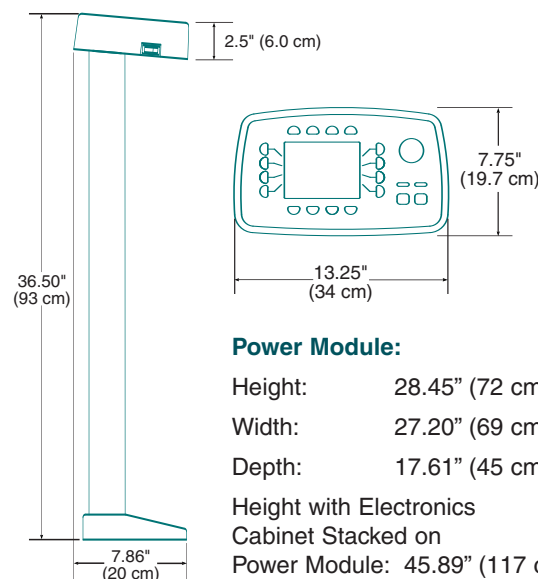
APX525/MPX525

- Maximum mA: 500
- kW Rating: 30
- kVp Range: 40-125
- Two Point Operation:
 - mAs Range: 1.0 - 500
- Three Point Operation:
 - mA Stations: 12; 25/50/75/100S, 150/200/250/300/350/400/450/500L
 - Time Stations: 36

APX625

- Maximum mA: 600
- kW Rating: 40
- kVp Range: 40-125
- Two Point Operation:
 - mAs Range: 1.0 - 600
- Three Point Operation:
 - mA Stations: 13; 25/50/75/100S, 150/200/250/300/350/400/450/500/600L
 - Time Stations: 36

Complies with all CDRH performance standards in effect at the date of manufacture.
Made in U.S.A. – U.L. Classified
An ISO13485 Certified Facility
As we strive for constant improvement, specifications are subject to change without notice.



www.delmedical.com



Medical
Systems
Group

11550 West King Street ■ Franklin Park, IL 60131 ■ Phone 847.288.7000 ■ Fax 847.288.7911 ■ Toll Free 800.800.6006